

WALK SUPPORTING MACHINE FOR PATIENT OF PARKINSON SYNDROME AND REHABILITATION EFFECT CONFIRMING METHOD FOR PATIENT OF PARKINSON SYNDROME

Patent number: JP2003164544
Publication date: 2003-06-10
Inventor: KAI YOSHIHIRO; INOUE YOSHIO; ISHIDA KENJI; TANIOKA TETSUYA
Applicant: KOCHI UNIV OF TECHNOLOGY
Classification:
 - international: **A63B23/04; A61H1/02; A63B23/04; A61H1/02; (IPC1-7): A63B23/04; A61H1/02**
 - european:
Application number: JP20010366849 20011130
Priority number(s): JP20010366849 20011130

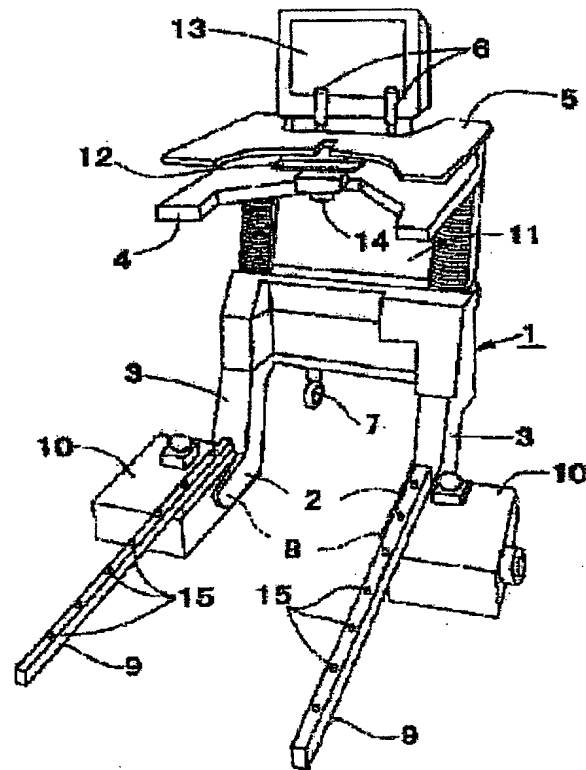
Report a data error here

Abstract of JP2003164544

PROBLEM TO BE SOLVED: To provide a walk supporting machine with which the patient of Parkinson syndrome handicapped in a walking function can perform a walk rehabilitation independently in a certain degree, the rehabilitation can be promoted, and the physical burden of a therapist can be reduced.

SOLUTION: The walk supporting machine is provided with at least one of a reproductive traveling device for traveling the walk supporting machine by reproducing the action of an attendant during walk exercises, speed controller for traveling the walk supporting machine at a fixed speed corresponding to the patient, light irradiation device for irradiating the target position of the next step of the patient with light or sound generator for generating sounds to become the rhythm of walking or image display device for displaying images at fixed time intervals in front of the patient, photographed foot position display device for photographing the foot position of the patient and displaying it in front of the patient together with a target foot position, detected foot position display device for detecting the horizontal position of the foot of the patient and displaying it in front of the patient together with a target foot position, and sole pressure measuring instrument for measuring the position of a pressure on the sole of the patient during walking and displaying the distribution of the measured pressures in front of the patient.

COPYRIGHT: (C)2003,JPO



Data supplied from the esp@cenet database - Worldwide